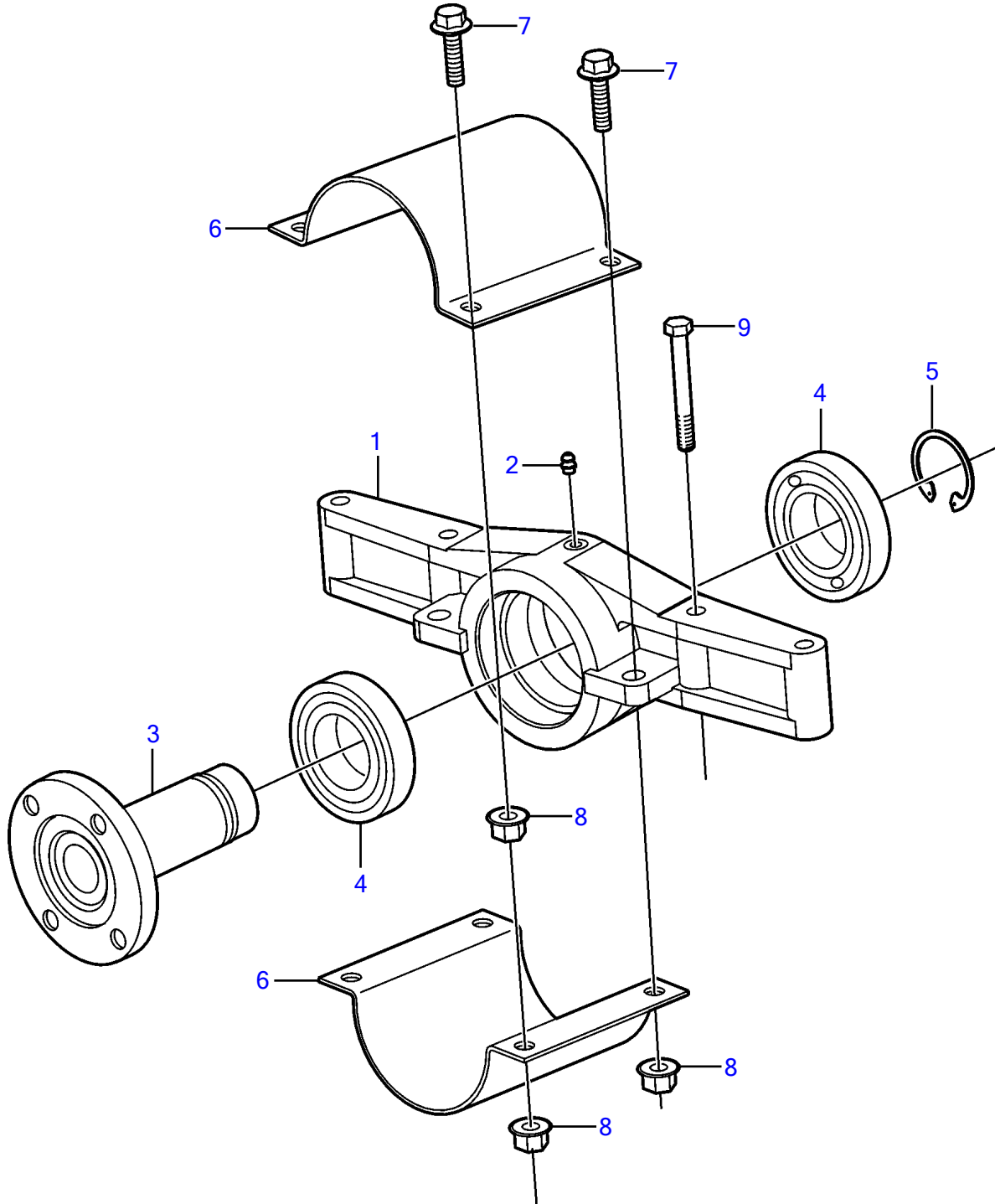


SX-M, SX-MLT, SX-MDA, SX-MDB, SX-MHP, SX-MACLT, SX-MAC



SX-M, SX-MLT, SX-MDA, SX-MDB, SX-MHP, SX-MACLT, SX-MAC

REF	PART NO.	QTY	DESCRIPTION
1	3851728	1	Bearing housing
2	3852121	1	Fitting
3	3862697	1	Shaft
4	181789	2	Ball bearing
5	914470	1	Snap ring
6	3817552	2	Cover
7	965192	4	Flange screw
8	971099	6	Flange lock nut
9	959975	7	Hexagon screw